

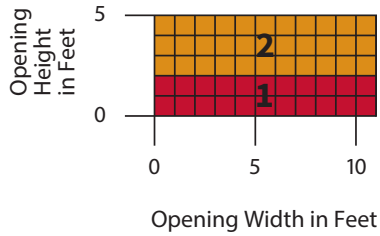
ROLLING COUNTER DOOR

# ROLLING SHUTTER

Model ESC20 (integral frame)

## MEASURE THE WIDTH AND HEIGHT OF THE OPENING

### DOOR SIZE AND AREA

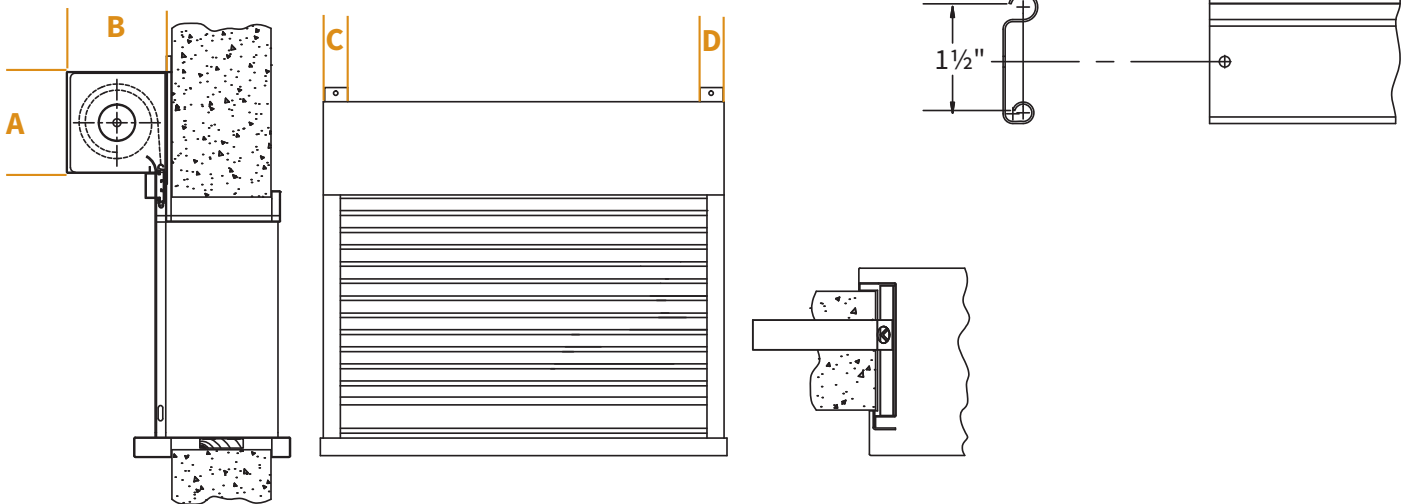


### COMPONENT DIMENSIONS

Reference the zone number to view component dimensions for motorized doors.

Dimensions in Inches	1	7.75	8	0	0
	2	9.75	10	0	0
	Zone	A	B	C	D

### SLAT CROSS SECTION



The dimensions featured on this sheet are provided as a guide. Please visit our website at [www.cooksondoor.com/drawings](http://www.cooksondoor.com/drawings) to generate drawings on demand with exact dimensions.

# ROLLING COUNTER DOOR **ROLLING SHUTTER Model ESC20**

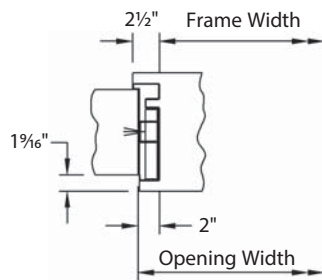
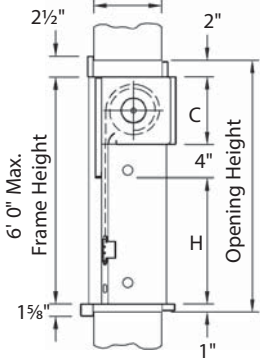
## GUIDE CONSTRUCTION OPTIONS

### FACE OF WALL UNIT



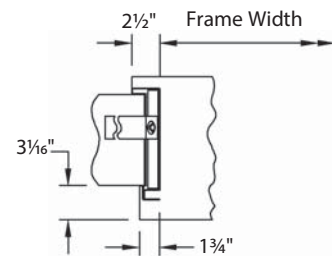
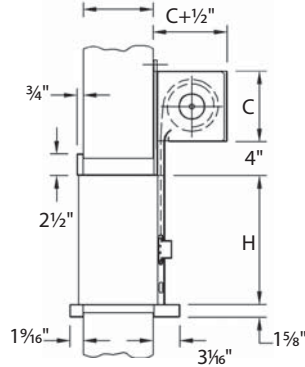
### BETWEEN JAMBS UNIT (SLIP IN)

Typical Wall Thickness  
(4" Min., 13" Max.)



### FACE MOUNTED

Typical Wall Thickness  
(4" Min., 13" Max.)



## CLEARANCES

H (CLEAR OPENING HEIGHT)      C

Up to 2'6" inclusive	8"
Over 2'6" to 4' 10"	10"

The dimensions featured on this sheet are provided as a guide. Please visit our website at [www.cooksondoor.com/drawings](http://www.cooksondoor.com/drawings) to generate drawings on demand with exact dimensions.

## CUSTOM-DESIGNED SOLUTIONS

Our experienced Architectural Design Support Team can customize our products to fit your specific application. Call 800.294.4358 ext. 1280 or email [ads@cooksondoor.com](mailto:ads@cooksondoor.com).